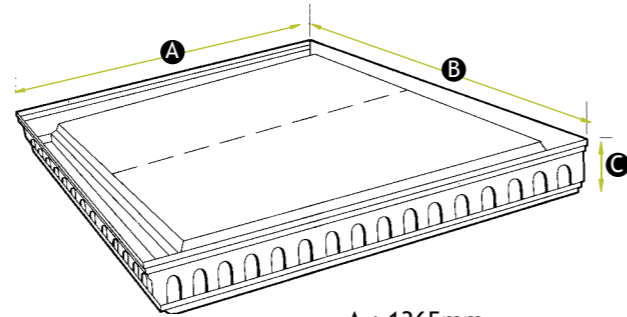


Porch Roofs

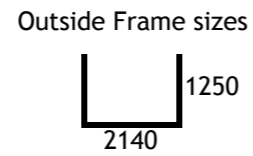


One Piece Porch Roof

Insulated core prevents excessive heat build-up during the summer and allows for the retention of heat during the winter.

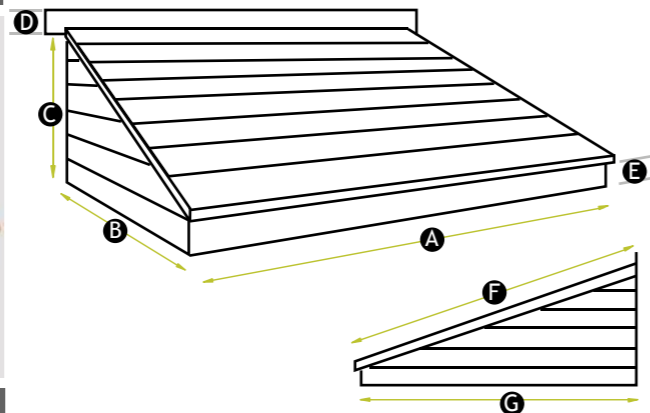


A : 1365mm
B : 2345mm
C : 165mm
Projection can be reduced



Pitched Porch Roof

The textured tile effect top is available in either grey or terracotta finish.



A : 2003mm
B : 1505mm
C : 740mm
D : 90mm
E : 150mm
F : 1635mm
G : 1535mm
30mm overhang for gutter
Outside frame sizes
1480
1958

Soffit Brackets also available

Please call for more details



Property Enhancing Canopies And Door Surrounds

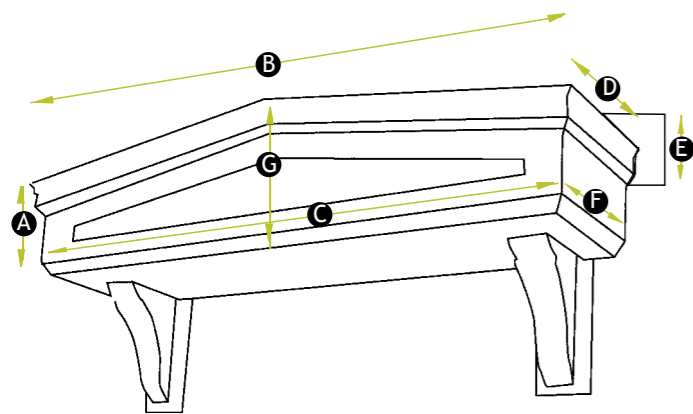


Dental



Dental Canopy with Gallow Brackets

Available with three sizes of Gallow bracket and decorative glass inserts.

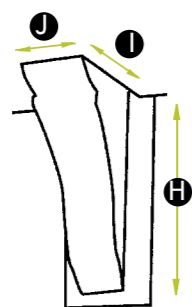


1440mm	1700mm	1955mm	2210mm	2475mm
A : 260	A : 260	A : 260	A : 260	A : 260
B : 1530	B : 1810	B : 2055	B : 2317	B : 2580
C : 1440	C : 1700	C : 1955	C : 2210	C : 2475
D : 410	D : 410	D : 410	D : 410	D : 410
E : 60	E : 60	E : 60	E : 60	E : 60
F : 370	F : 370	F : 370	F : 370	F : 370
G : 350	G : 370	G : 390	G : 405	G : 430

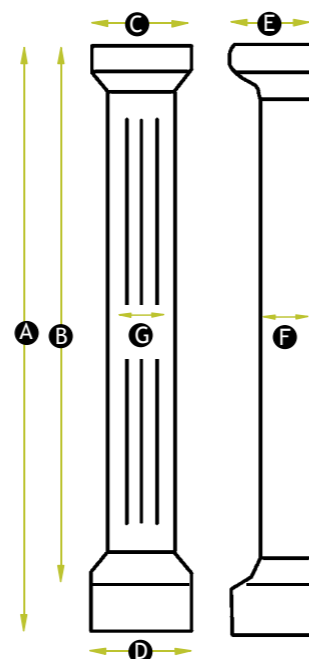
Gallow Brackets



6"	9"	12"
H : 285	H : 325	H : 430
I : 150	I : 230	I : 305
J : 165	J : 150	J : 130



Dental Pillars



Half Round
 A : 2435mm
 B : 2235mm
 C : 310mm
 D : 250mm
 E : 105mm
 F : 90mm
 G : 175mm

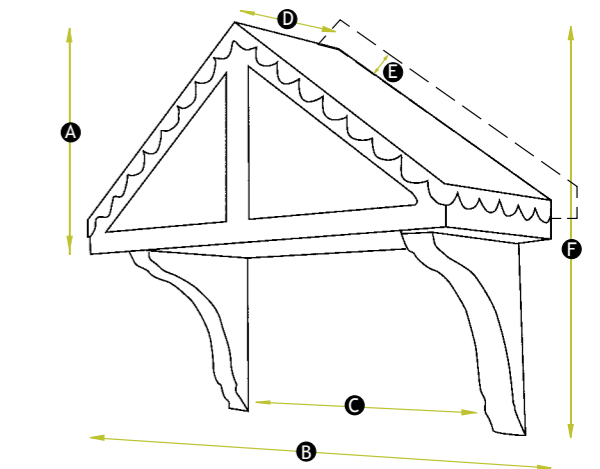
Half Square
 A : 2560mm
 B : 2110mm
 C : 210mm
 D : 220mm
 E : 125mm
 F : 105mm
 G : 170mm

1400 Kendal



1400 Kendal Door Canopy

With loose brackets and lead effect top. Available with glass inserts.



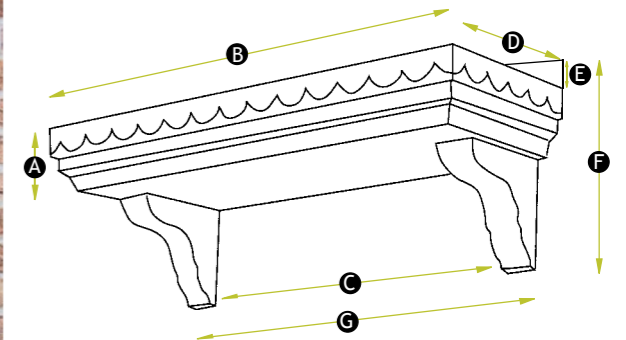
A : 645mm	D : 560mm
B : 1400mm	E : 65mm
C : 1000mm	F : 1105mm

1380 Keswick



1380 Keswick Door Canopy

With moulded brackets and lead effect top.



Made to Measure
up to 2700mm

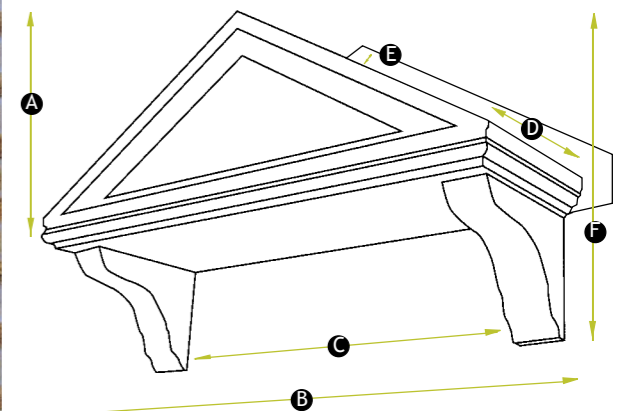
A : 180mm	E : 65mm
B : 1380mm	F : 530mm
C : 1000mm	G : 1270mm
D : 530mm	

1350 Victorian



1350 Victorian Door Canopy

With moulded brackets and available with glass inserts.

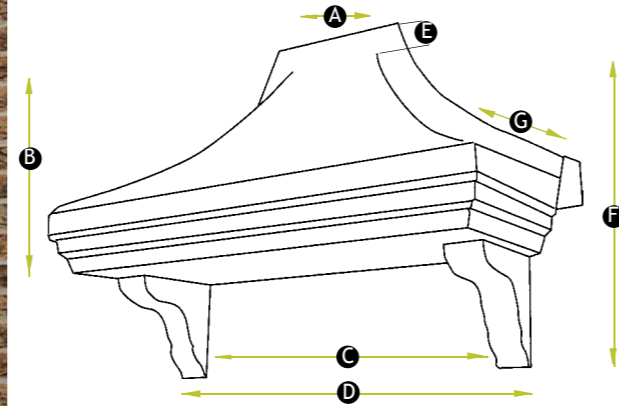


A : 580mm	D : 425mm
B : 1350mm	E : 70mm
C : 1000mm	F : 790mm

1375 Rutland



1375 Rutland Door Canopy
With moulded brackets and lead effect top.

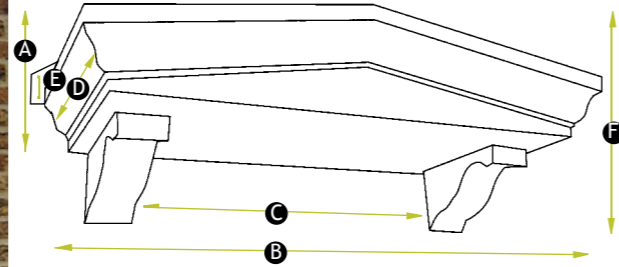


A : 440mm D : 1375mm G : 520mm
B : 685mm E : 60mm
C : 1000mm F : 970mm

1500 Princess



1500 Princess Door Canopy
With moulded brackets and lead effect top.



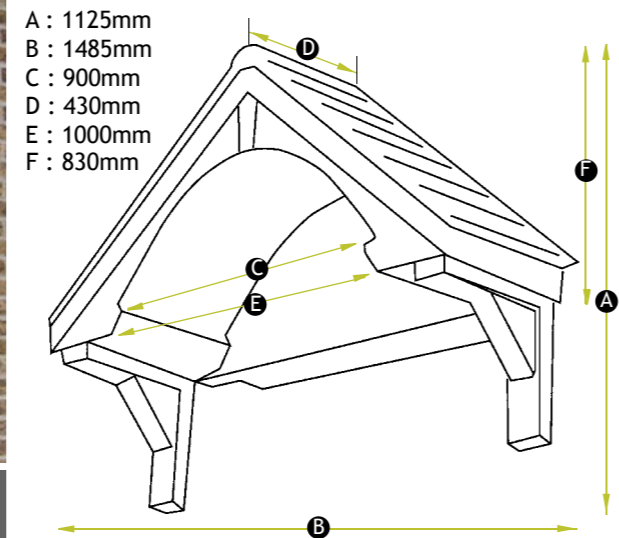
A : 285mm D : 600mm
B : 1500mm E : 70mm
C : 1000mm F : 475mm

Cathedral

Available with either
Grey or Terracotta top.



Cathedral Door Canopy
With loose brackets and optional backboard.

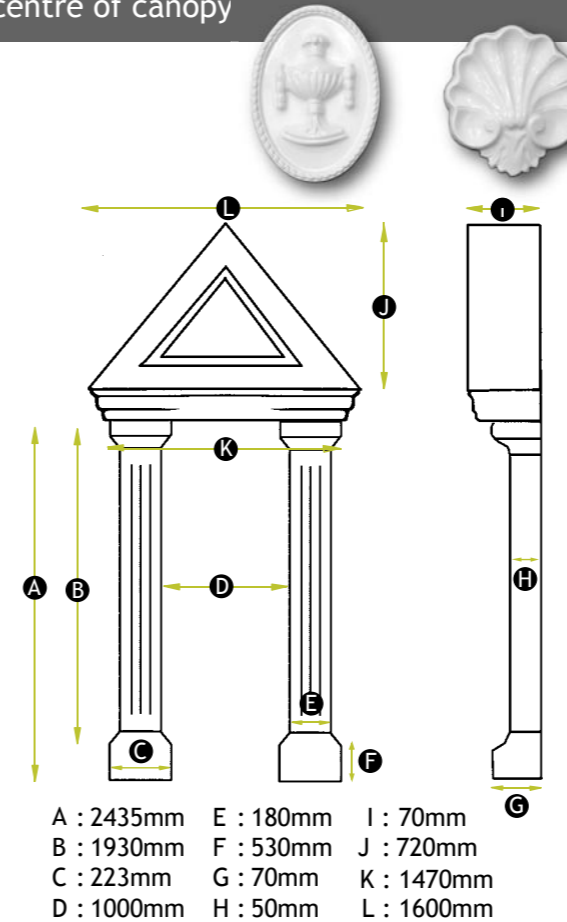


A : 1125mm
B : 1485mm
C : 900mm
D : 430mm
E : 1000mm
F : 830mm

Victorian Surround



1500 Victorian Surround
Available with Shell or Urn motif for
centre of canopy

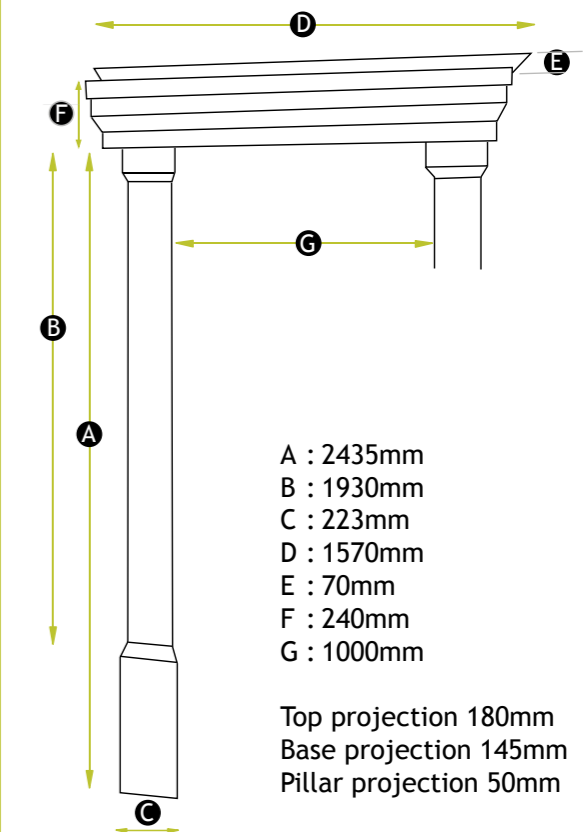


A : 2435mm E : 180mm I : 70mm
B : 1930mm F : 530mm J : 720mm
C : 223mm G : 70mm K : 1470mm
D : 1000mm H : 50mm L : 1600mm

Cambridge Surround



1570 Cambridge Surround
With graceful lines and fine detailing, the
Cambridge door is a best seller.



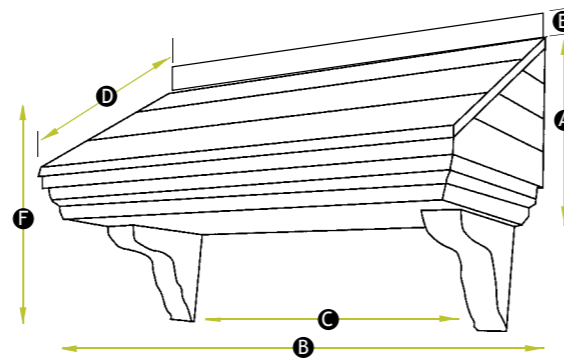
A : 2435mm
B : 1930mm
C : 223mm
D : 1570mm
E : 70mm
F : 240mm
G : 1000mm

Top projection 180mm
Base projection 145mm
Pillar projection 50mm

Oakham



Made to Measure
up to 2700mm

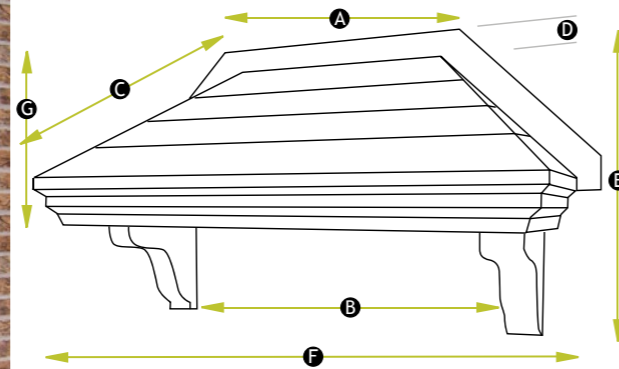


1380 Model	2700 Model
A : 580mm	A : 580mm
B : 1380mm	B : 2700mm
C : 1000mm	C : -
D : 530mm	D : 530mm (Loose brackets)
E : 70mm	E : 70mm
F : 860mm	F : 520mm

Oakham Door Canopy

With moulded brackets and either Grey or Terracotta top.

1470 Stafford



A : 750mm	D : 70mm	G : 560mm
B : 1000mm	E : 845mm	
C : 530mm	F : 1470mm	

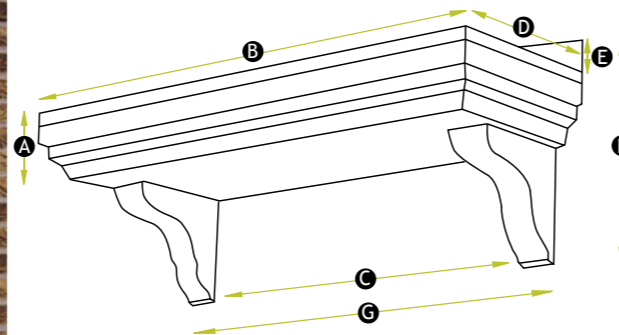
1470 Stafford Door Canopy

With moulded brackets and either Grey or Terracotta top.

1380 Ullswater



Made to Measure
up to 2700mm



A : 180mm	E : 65mm
B : 1380mm	F : 530mm
C : 1000mm	G : 1270mm
D : 530mm	

1380 Ullswater Door Canopy

With lead-effect top and integral moulded brackets.

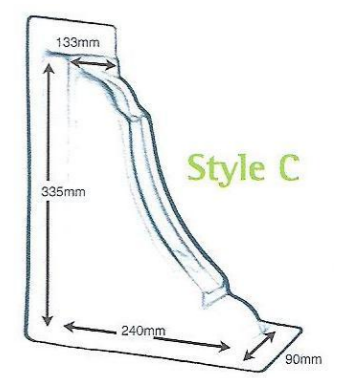
Gallows Brackets



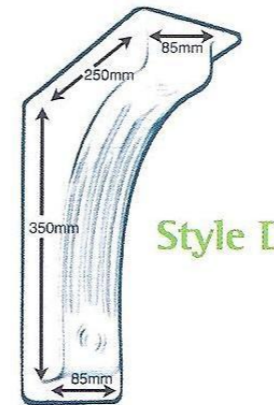
Style A



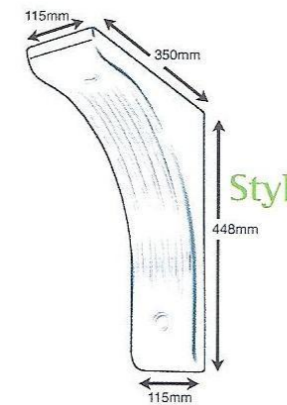
Style B



Style C



Style D

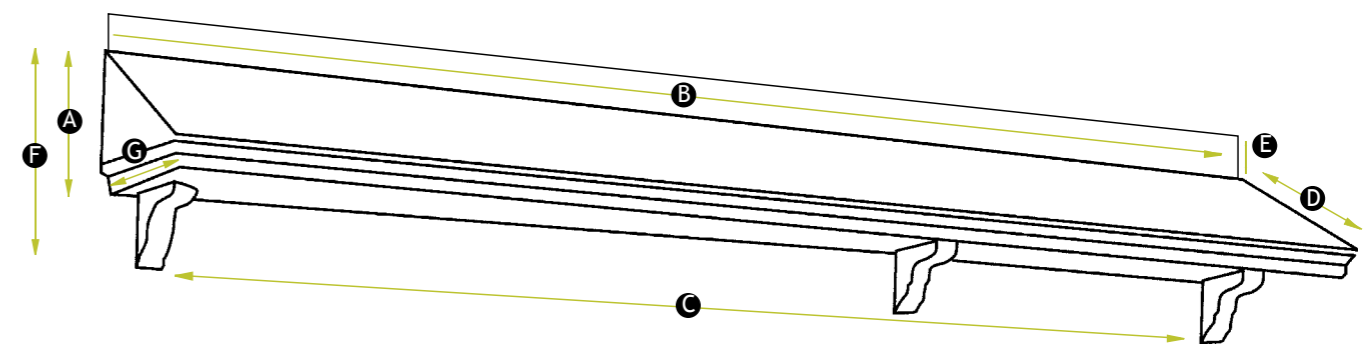


Style E



Style F

Oakham plus



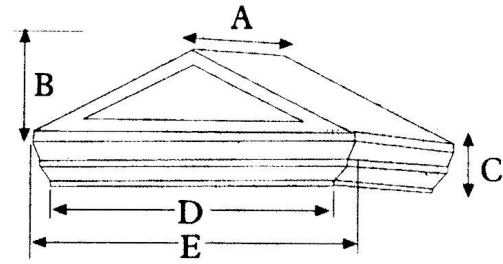
Made to Measure Oakham Canopy
up to 5.4m in length

A : 490mm	E : 70mm
B : 5400mm	F : 770mm
C : -	G : 660mm Base Size (Projected)
D : 700mm	

1710 Tynedale



1710 Tynedale Door Canopy
With optional brackets (not supplied).

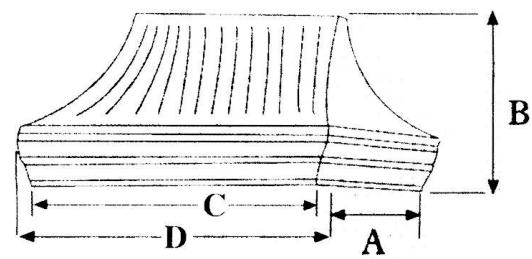


- A - 490 mm
- B - 405 mm
- C - 145 mm
- D - 1445 mm
- E - 1710 mm

1710 Weardale



1710 Weardale Door Canopy
Shown with brackets (not supplied).

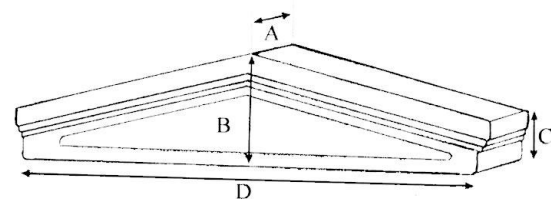


- A - 490 mm
- B - 630 mm
- C - 1445 mm
- D - 1710 mm

Harraton



Harraton Door Canopy
Shown with half columns (not supplied).



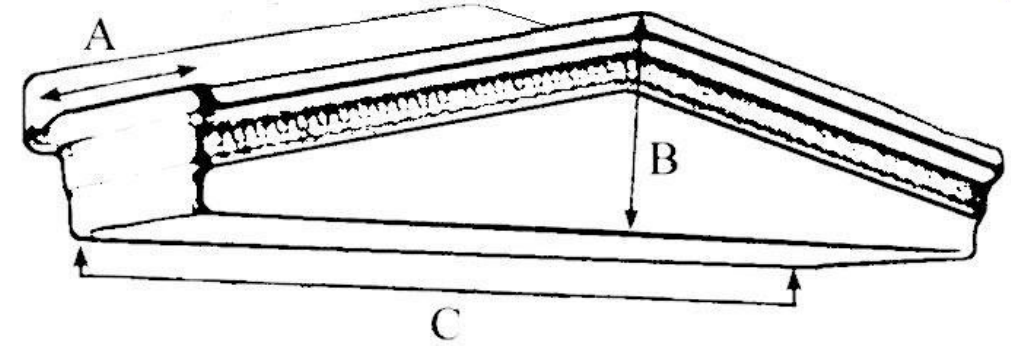
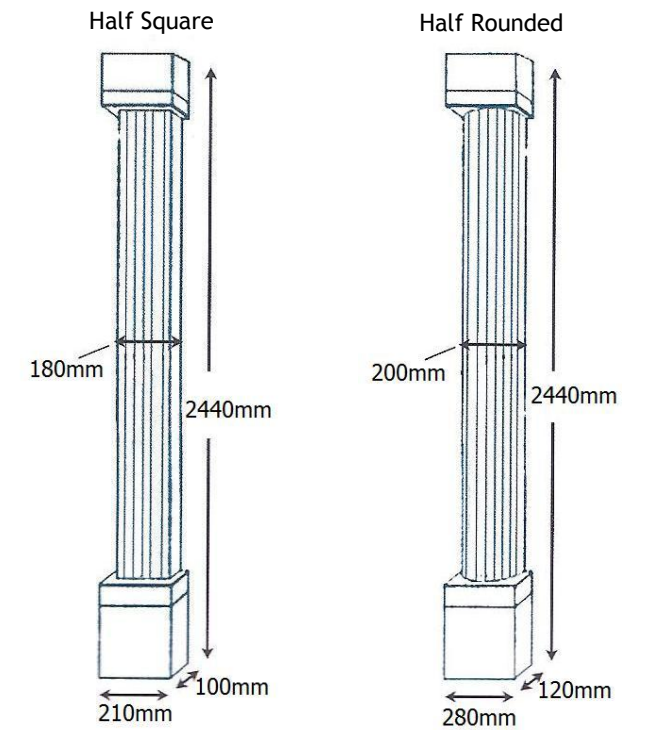
	A	B	C	D
PROJECTION				
HEIGHT (not including upstand)				
SIDE HEIGHT				
BASE WIDTH				
400 mm	385 mm	210 mm	1500 mm	
400 mm	410 mm	210 mm	1750 mm	
400 mm	440 mm	210 mm	2000 mm	
400 mm	495 mm	210 mm	2500 mm	

Teesdale



Teesdale Canopy

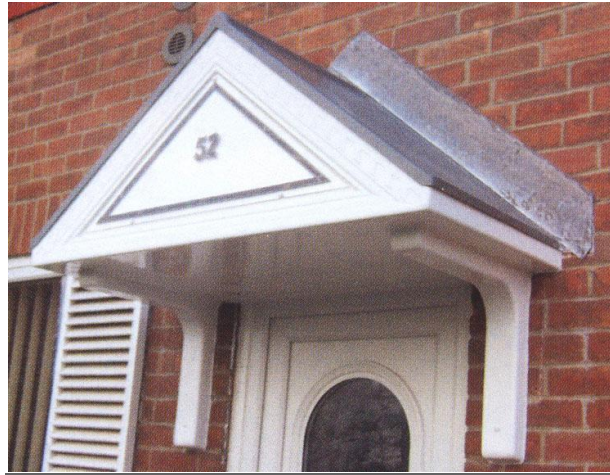
Shown with half columns (below, available as an extra).
Can also be fitted with brackets (optional extra).



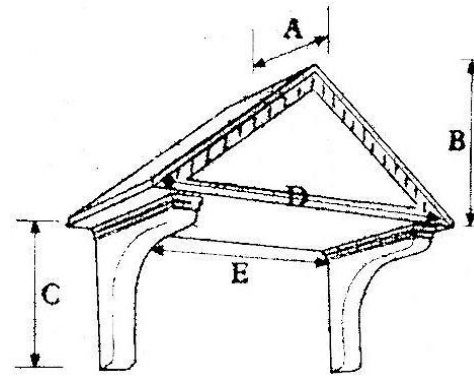
SIZE	PROJECTION		HEIGHT	BACK WIDTH
	A	B	(Not Including Upstand)	
1350 mm	300 mm	600 mm	375 mm	1385 mm
1500 mm	300 mm	600 mm	400 mm	1535 mm
1750 mm	300 mm	600 mm	435 mm	1785 mm
2000 mm	300 mm	600 mm	440 mm	2035 mm
2250 mm	300 mm	600 mm	485 mm	2285 mm
2500 mm	300 mm	600 mm	505 mm	2535 mm
2750 mm	300 mm	600 mm	535 mm	2785 mm
3000 mm	300 mm	600 mm	565 mm	3035 mm

Bow/Bay Window Canopies available with inner and outer
Sizes shown above are approximate and may vary

1450 Albany



1450 Albany Door Canopy
With optional integral brackets

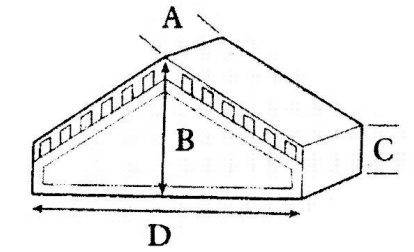


- A - 620 mm
- B - 660 mm
- C - 500 mm
- D - 1450 mm
- E - 1070 mm

1330 Ayton



1330 Ayton Door Canopy
With optional integral brackets

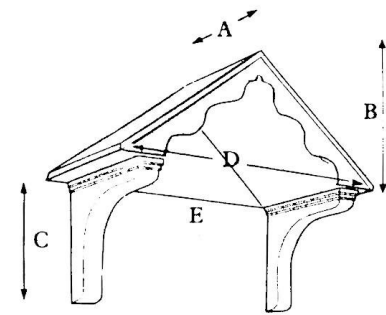


- A - 300 mm
- B - 355 mm
- C - 210 mm
- D - 1330 mm

1455 Croft



1455 Croft Door Canopy
Shown with brackets style E

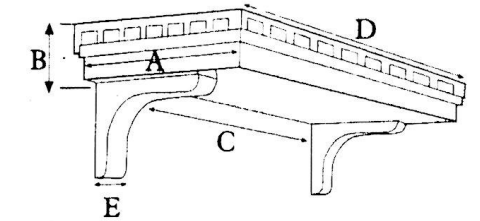


- A - 615 mm
- B - 685 mm
- C - 540 mm
- D - 1455 mm
- E - 1070 mm

1450 Donwell



1450 Donwell Door Canopy
With optional integral brackets

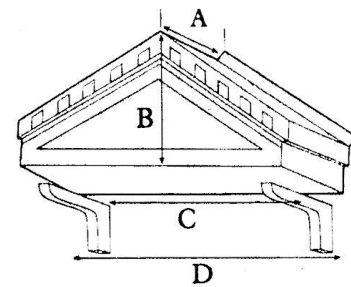


- A - 620 mm
- B - 155 mm
- C - 1110 mm
- D - 1450 mm
- E - 90 mm

1340 Usworth



1340 Usworth Door Canopy
With optional integral brackets

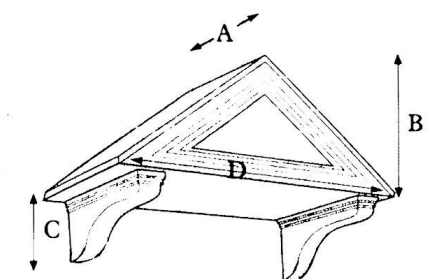


- A - 640 mm
- B - 370 mm
- C - 1000 mm
- D - 1340 mm

1400 Cottage

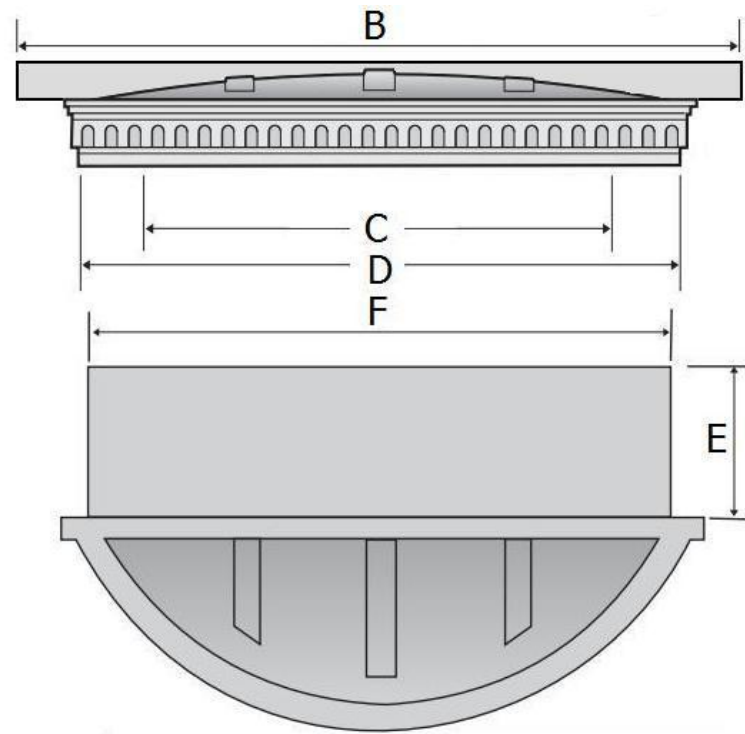


1400 Cottage Door Canopy
With optional integral brackets



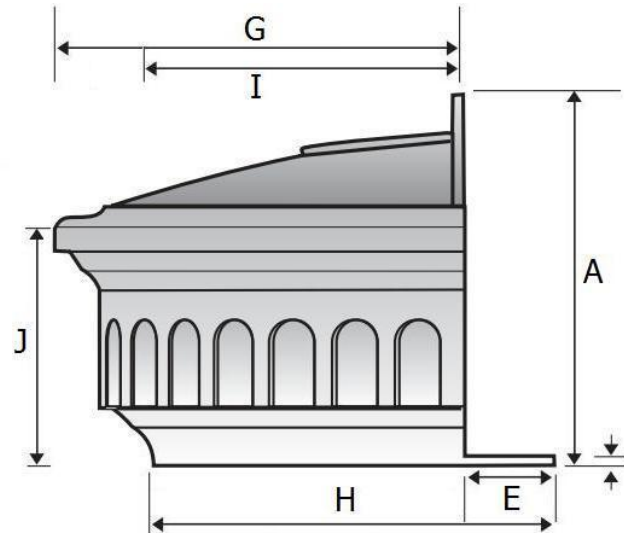
- A - 300 mm
- B - 540 mm
- C - 145 mm
- D - 1400 mm

Bow/Bay Window Canopy



Attractive one piece bow canopies available foam filled or hollow.

GRP Thickness 5mm



Bow/Bay Window Canopies available inner or outer fluted

Bow/Bay Window Canopy - Inner Dental

	1350	1500	1800	2100	2400	2800	3100	3400
A	255	240	250	250	250	275	320	300
B	1730	2190	2400	2670	2940	3350	3450	3790
C	1000	1200	1650	1950	2230	2500	2800	2900
D	1350	1650	1950	2230	2500	2900	3100	3400
E	280	385	385	385	385	360	360	360
F	1350	1650	1950	2230	2500	2900	3100	3400
G	150	230	250	340	395	450	460	580
H	430	510	565	620	695	715	790	840
I	150	130	180	240	310	355	460	480
J	145	150	150	155	155	165	165	165

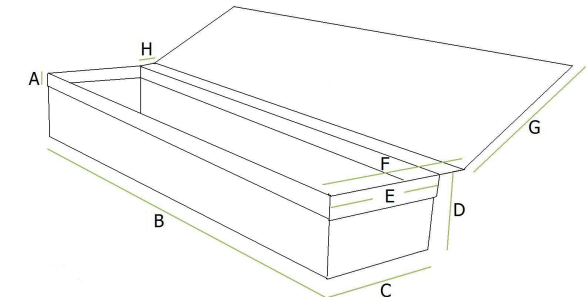
Dimensions shown in mm.

Bow/Bay Window Canopy - Outer Dental

	1350	1500	1800	2100	2400	2800	3100	3400
A	250	250	250	250	250	250	250	250
B	1780	2180	2360	2560	2830	3150	3630	3730
C	1200	1400	1500	1700	1900	2300	2600	2800
D	1500	1700	1900	2200	2500	2920	3160	3400
E	250	250	250	250	250	250	250	250
F	1500	1700	1900	2200	2500	2920	3160	3400
G	245	250	256	330	390	450	550	590
H	425	425	425	460	560	610	710	740
I	175	175	175	210	310	360	460	490
J	140	150	150	155	155	165	165	165

Dimensions shown in mm.

Finlock Guttering



A : 30mm	E : 220mm
B : 4200mm	F : 280mm
C : 150mm	G : 280mm
D : 170mm	H : 60mm

Guttering, Made to Measure

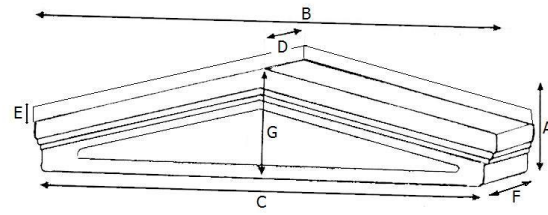
Downpipe can be placed anywhere along length.

Made To Measure
up to 4200mm

Ashwood



Ashwood Door Canopy
Brackets available as an optional extra

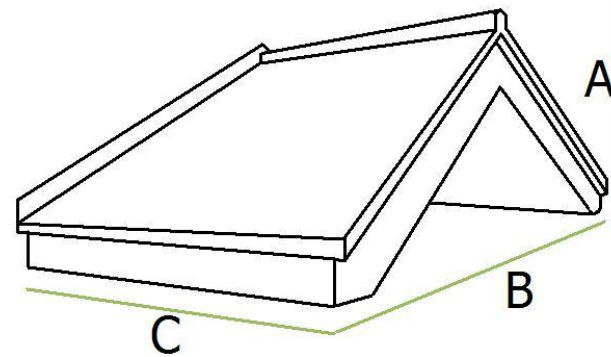


	1500	1750	2000	2500
A	200	200	210	210
B	1660	1900	2160	2670
C	1500	1750	2000	2500
D	400	405	405	410
E	70	70	70	70
F	400	430	430	430
G	200	200	200	200

1400 Millfield



Millfield Door Canopy
Wood effect door canopy.

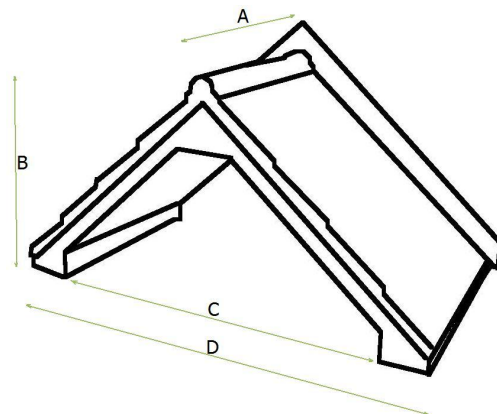


A : 600mm
B : 1400mm
C : 810mm

1245 Clover

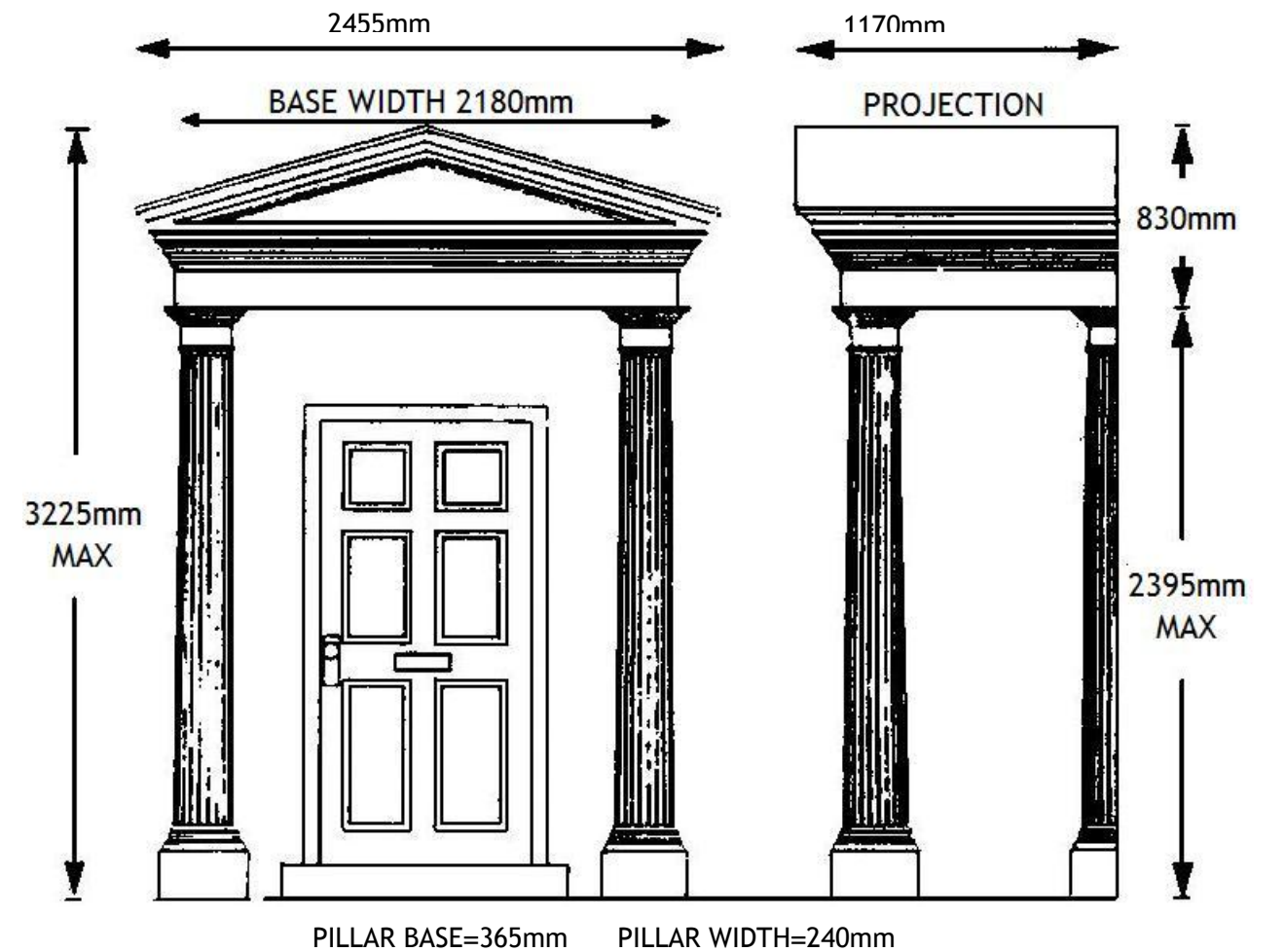


Clover Door Canopy
Brackets available as an optional extra



A : 600mm
B : 655mm
C : 990mm
D : 1245mm

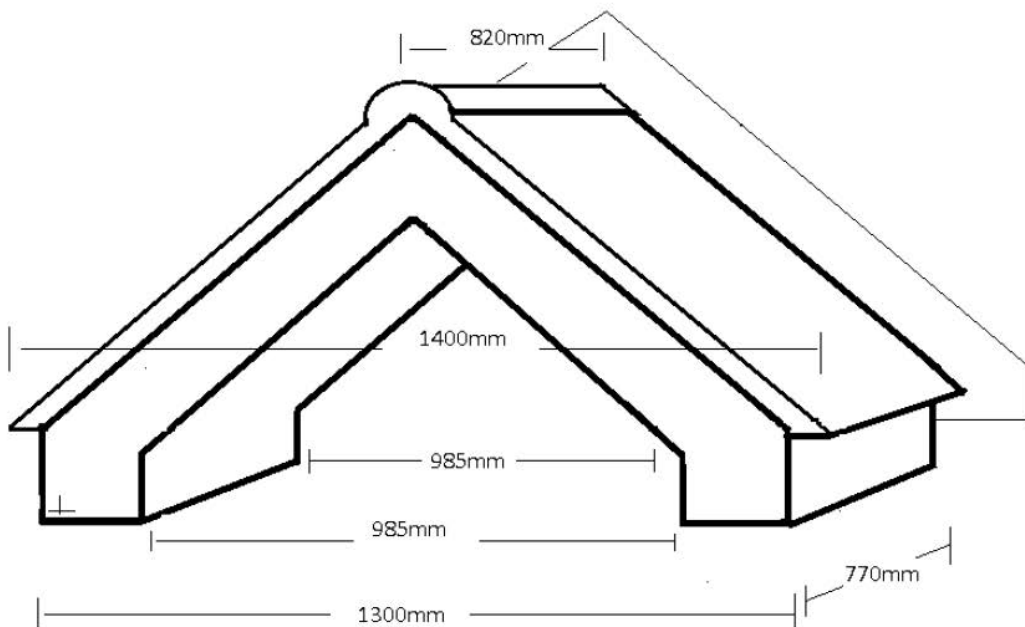
The Washington Portico

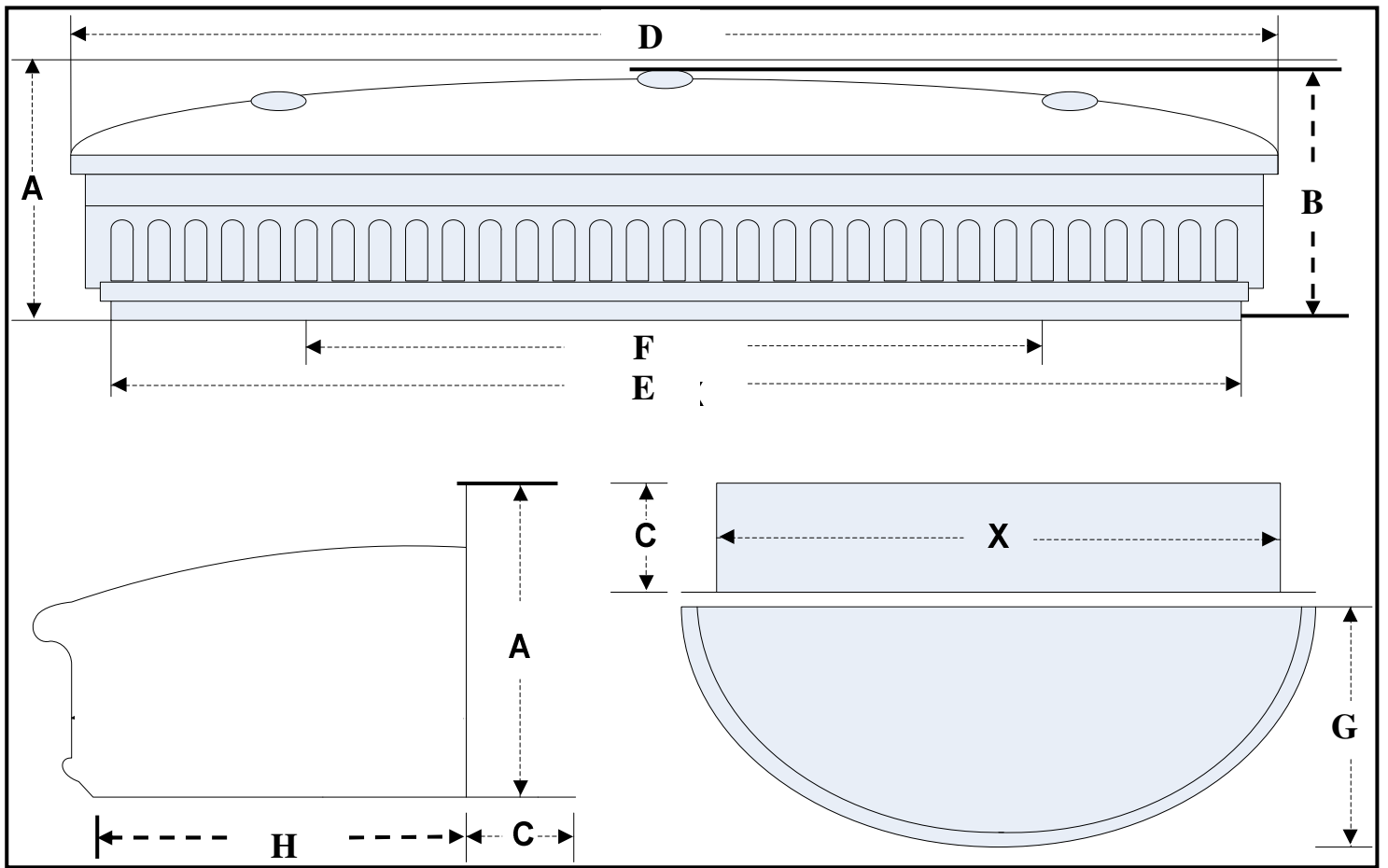


The Washington Portico

The Washington Portico comes complete with 2 full columns and 2 half columns (optional). This can be supplied with either a peaked or flat top to suit customers requirements.

MILLFIELD DOOR CANOPY





Outer Dental Bow Canopy Sizes:

SIZE	A	B	C	D	E	F	G	H
1350mm	320mm	225mm	300mm	1650mm	1350mm	1200mm	240mm	150mm
1500mm	320mm	225mm	300mm	2150mm	1700mm	1400mm	260mm	150mm
1800mm	320mm	225mm	300mm	2350mm	2000mm	1550mm	260mm	175mm
2100mm	320mm	225mm	300mm	2400mm	2200mm	1850mm	320mm	225mm
2400mm	320mm	225mm	300mm	2800mm	2500mm	2250mm	370mm	300mm
2800mm	320mm	225mm	300mm	3100mm	2800mm	2450mm	450mm	350mm
3100mm	320mm	225mm	300mm	3400mm	3100mm	2850mm	525mm	425mm
3400mm	320mm	225mm	300mm	3750mm	3450mm	3150mm	600mm	500mm

Bow/Bay Canopies

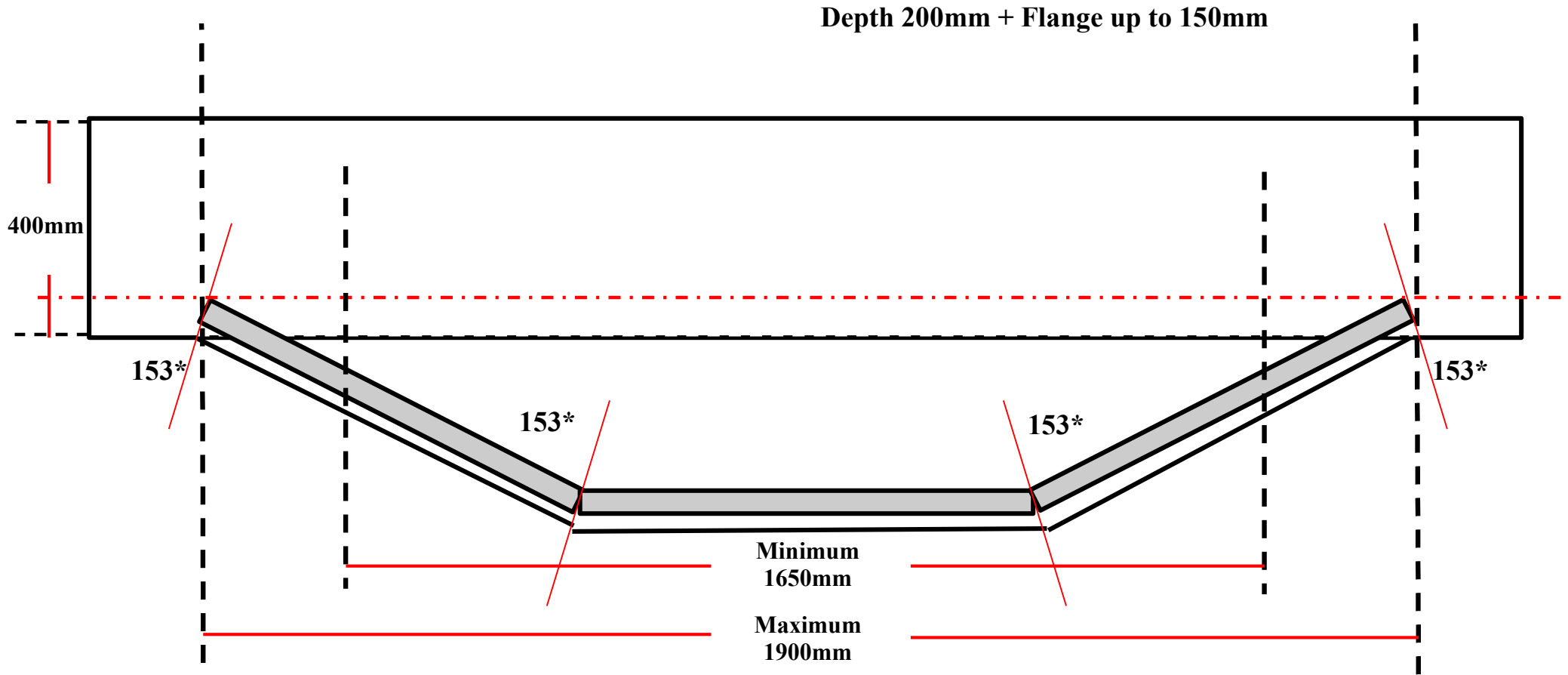
1800mm Square Bow 3 Sided Max opening 1900mm, Min Opening 1700mm



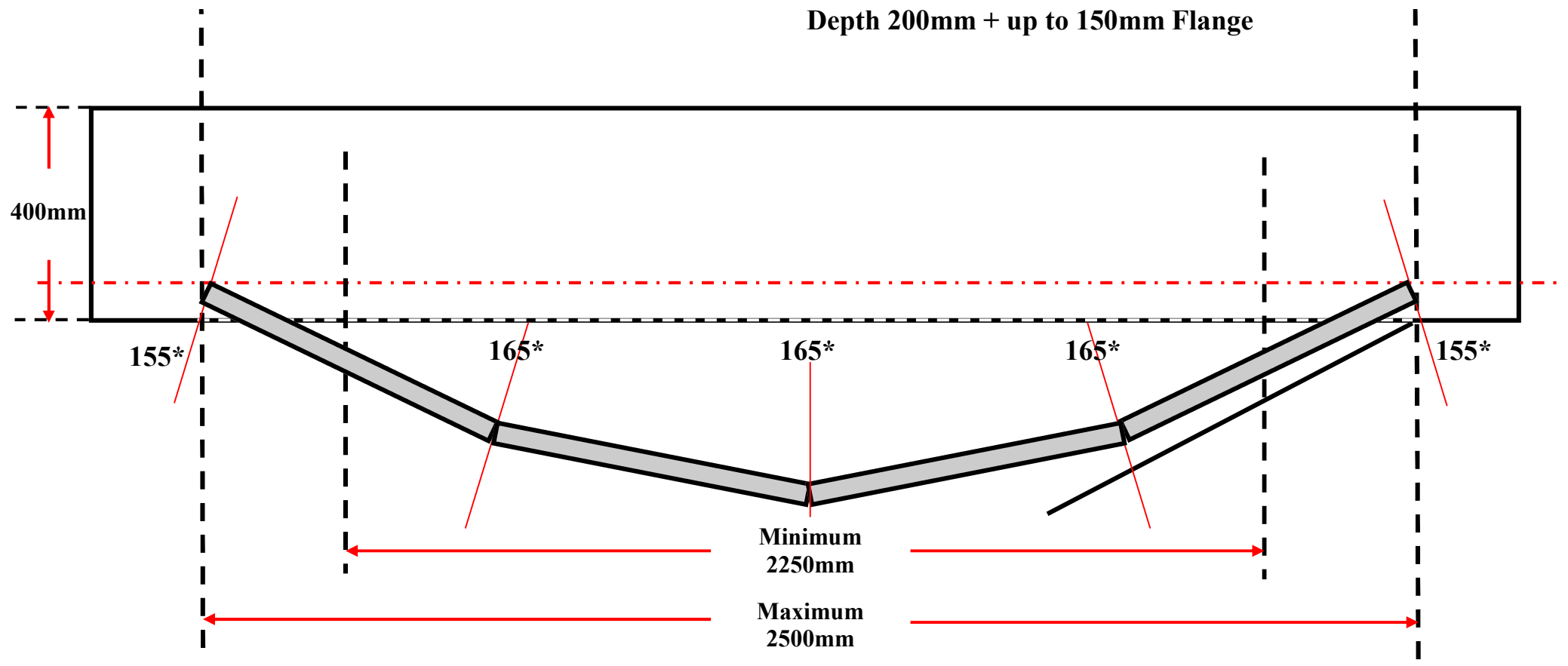
2400mm Square Bow 4 Sided Max opening 2500mm, Min Opening 2300mm



1800mm Sq Bow Dimensions:



2400mm Sq Bow Dimensions:



NEW GALLOW BRACKET OPTIONS - WOOD

